



The models below can be used as floor models in combination with the infra butler:

Name	H x W (cm)	Watt at 230V	Weight (kg)
Konvex 6	100 x 62	620	11
Konvex 7	150 x 50	750	14
Konvex 8	150 x 62	900	16
Konvex 9	125 x 75	940	16
Konvex 11	150 x 75	1125	19



Assembly instruction

infra butler stand

Dear customer,
Congratulations on your new infra butler stand.

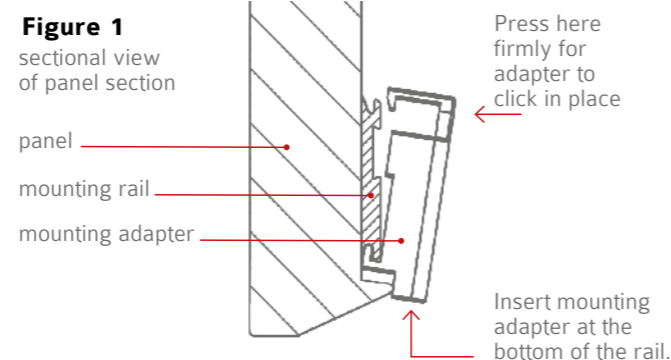
Scope of supply

- 1 pc. infra butler stand
- 2 pcs. mounting adapters
- 1 pc. grip knob
- 1 pc. mounting nut

Assembly

Step 1

Mount the two mounting adapters on the short side of the panel where the cable outlet is located. The mounting adapter is hooked onto the bottom of the mounting rail and then clicked in place at the top end of the mounting rail. (see Figure 1)



Step 2

Position the two adapters by sliding them sideways; the distance between them must be 233 mm. The distance to the panel edges is the same for both adapters (see Figure 2).

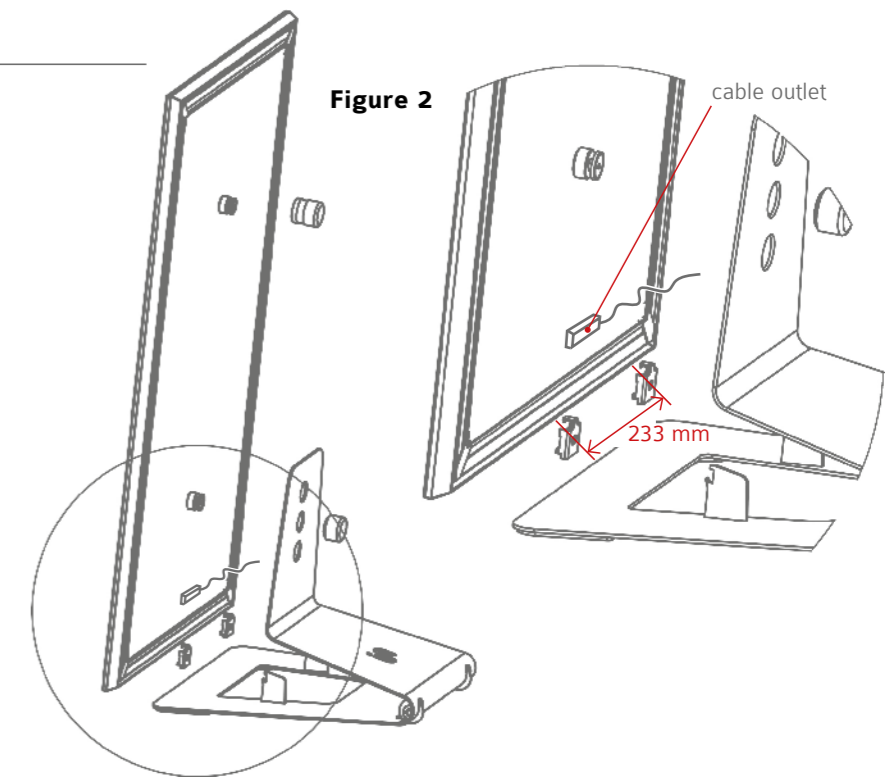
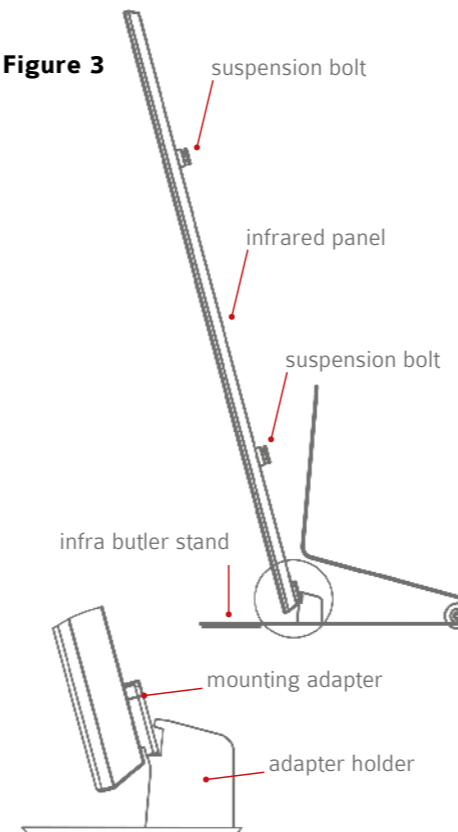


Figure 3



Step 3

Use the mounting adapters to place your panel at an angle in the adapter holder of the infra butler (see Figure 3).

Step 4

Tilt the panel towards the stand which is spring-mounted. Adjust the height of the stand bore hole to ensure that the suspension bolt of the panel can be optimally inserted. Secure the panel to the stand with the 35 mm mounting nut. Screw the 53 mm grip knob to the upper suspension bolt.

